

## Microwave drying machine

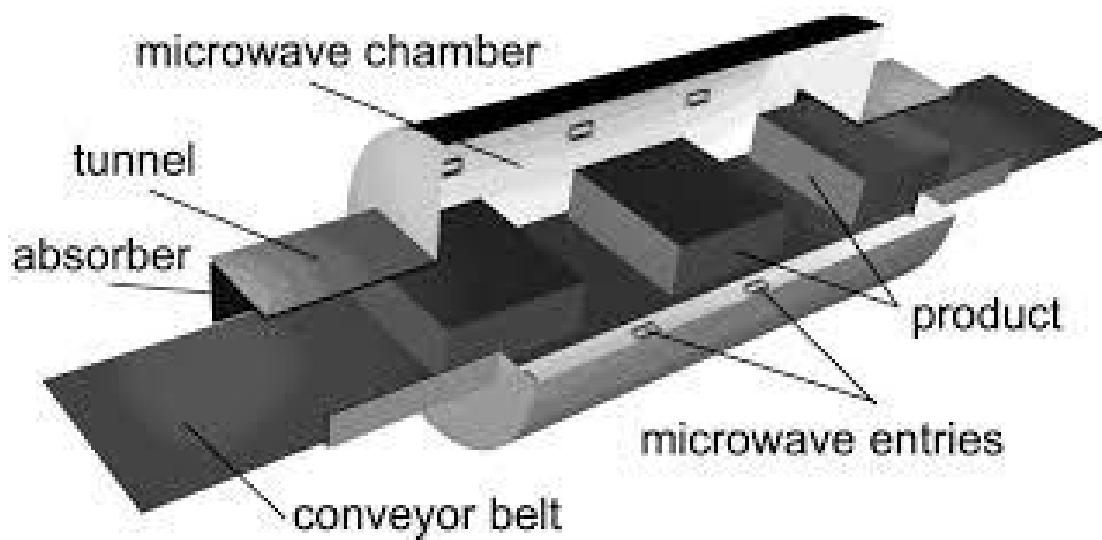
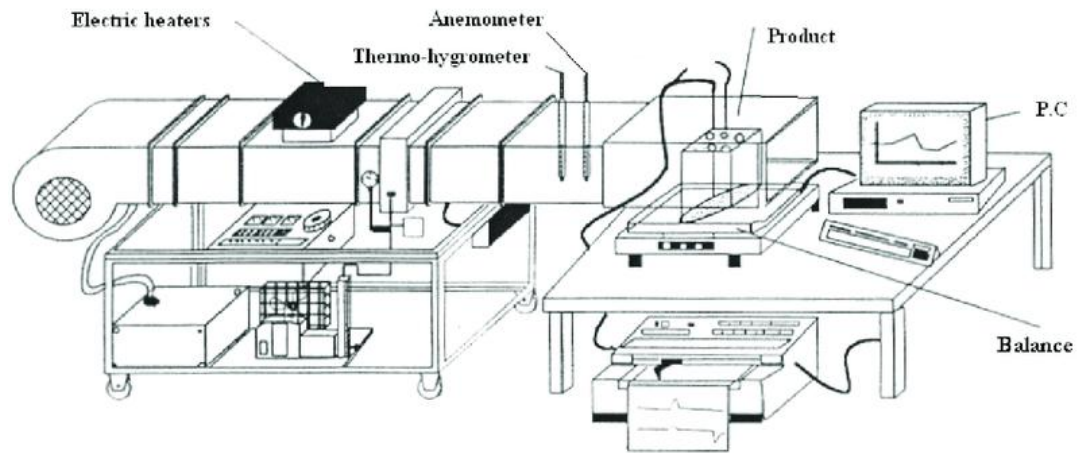
### What are the advantages of microwave mechanical drying?

- 1.Microwave drying equipment heating and drying uniformly.The quality is good and the price is reasonable.
- 2.As a professional manufacturer of microwave drying equipment, our Leader can customize microwave drying equipment for you.
- 3.Long service time and convenient maintenance.
- 4.High efficiency and labor saving.
- 5.Our equipment that is out of the box, easy to control and convenient to operate, it has advanced technology and flexible operation.
- 6.It is a safe and harmless high and new technology that no waste water,no waste gas,environmental protection and no pollution.

There are two main drying methods for food materials.One is natural air drying, because the natural drying use sunlight and natural wind directly, so the temperature and humidity of the environment and odor will affect the material.Secondly,drying and dehydration through microwave drying machine is a good choice, its area is small, easy to install,and has fast drying speed.

### Product specification:parameter:

Microwave drying equipment	
Microwave frequency	915 ± 25MHz
Microwave power	Above 10kw-200kw (continuously adjustable)
Transfer speed	0.1~3m/min frequency control
Microwave leakage	≤5mw/cm <sup>2</sup> (GB5959.6-87)
Dry quantity	0.5~1.0T/ h
Hourly capacity	5 to 7 T
External dimensions of equipment	Length x width x height 8000×5000×2300 (mm) (customizable)
Control mode	Touch screen、PLC control



**A typical microwave drying system consist of:**

- 1) Microwave generator
- 2) Applicator (wave guides)
- 3) Microwave unit
- 4) Control system

Being pioneer in providing heating, cooling and drying solution, Leader always tried to help its clients to with best quality product with latest technology to fulfil their specialize needs at affordable cost.

CHEMICAL REACTION	TEMPERATURE (°C)	TIME (MINUTES)	MW YIELD (%)	CONVENTIONAL YIELD (%)
Hydrolysis of hexanenitrile	100	60	40	26
Oxidation of cyclohexene	80	60	26	12
Esterification of stearic acid	140	120	97	83

### Why choose Leader mechanical company?

When purchasing mechanical equipment, in addition to reasonable price, good quality of machinery, you need to pay attention to after-sales. Perfect service can bring you great convenience, in our factory, we can provide customers: installation, worker training, maintenance and 24-hour service hotline every day. When you purchase our microwave drying equipment or microwave dehydration equipment, if you have any questions, please contact us, we will try our best to solve the problem.